

Panasonic®

System Setup Guide

Home Network System
HUB

Model No. **KX-HNB600**



Thank you for purchasing a Panasonic product.

This document explains how to configure the hub and access it using a mobile device. These steps must be followed before you can use the system. For details about how to use the system, refer to the User's Guide (page 15).

Please read this document before using the unit and save it for future reference. For assistance, visit our Web site: www.panasonic.com/support for customers in the U.S.A. or Puerto Rico.

Please register your product: www.panasonic.com/prodreg

Printed in China

Table of Contents

Introduction

Accessory information	3
-----------------------------	---

Important Information

About this system	6
For your safety	6
Important safety instructions	7
Security cautions	7
For best performance	8
Other information	8

Setup

Part names and functions	10
LED indicator	10
Connections	10
Wi-Fi® settings	11
Registering another mobile device	13
Registering other devices to the hub	13

Appendix

Wireless communication range (DECT)	15
Accessing the User's Guide	15
Wall mounting	16
Specifications	18
Open source software notice	18
Software information	18
FCC and other information	19
Customer services	21
Warranty (For United States and Puerto Rico)	22

Accessory information

Supplied accessories

No.	Accessory item/Part number	Quantity
①	AC adaptor/PNLV2360Z	1
②	Telephone line cord/PQJA10075Z	1
③	Wall mounting adaptor/PNKL1049Z1	1

①



②



③



Additional accessories

microSD card (not supplied)

A commercially-available microSD card must be inserted into the hub in order to record images from cameras. The following types of microSD cards are supported.

- microSD / SDHC card: Up to 32 GB

Note:

- Please contact your nearest Panasonic dealer for sales information (page 21).

Accessory item	Model number
T-adaptor	KX-J66

Other information

- Design and specifications are subject to change without notice.
- The illustrations in these instructions may vary slightly from the actual product.

Trademarks

- microSDHC Logo is a trademark of SD-3C, LLC.
- iPhone and iPad are registered trademarks of Apple Inc.
- iPad mini is a trademark of Apple Inc.
- Android is a trademark of Google Inc.
- Wi-Fi is a registered trademark of the Wi-Fi Alliance.
- All other trademarks identified herein are the property of their respective owners.

Notice






- The hub supports microSD and microSDHC memory cards. In this document, the term "microSD card" is used as a generic term for any of the supported cards.

Introduction

Expanding the Panasonic Home Network System

The Panasonic Home Network System lets you create a powerful wireless network of cameras, sensors, and smart plugs in your home, and control them all with an easy-to-use mobile app. Compatible devices are explained below. For information about the Home Network app, refer to the User's Guide (page 15).

The maximum number of devices for each device type is listed below.

<p>Digital Cordless Handset (KX-HNH100: 6 max.)^{*1}</p> <ul style="list-style-type: none">● Makes and receives calls using your home landline● Can be used to change the system's security mode● Displays system status● Receives notification when the sensors are triggered	
<p>Indoor Camera (KX-HNC200: 4 max.)^{*2}</p> <ul style="list-style-type: none">● Full-color camera and built-in microphone for live monitoring and recording● Built-in visual sensor, audio sensor, and temperature sensor can be used to trigger other actions (camera recording, turning on a light, etc.)● Built-in microphone and speaker for two-way communication	
<p>Outdoor Camera (KX-HNC600: 4 max.)^{*2}</p> <ul style="list-style-type: none">● Full-color camera with built-in microphone for live monitoring and recording● Built-in visual sensor and infrared sensor can be used to trigger other actions (camera recording, turning on a light, etc.)● Built-in microphone and speaker for two-way communication● Splash proof design for permanent, outdoor installation	
<p>Window/Door Sensor (KX-HNS101: 50 max.)^{*3}</p> <ul style="list-style-type: none">● Detects when the corresponding window or door is opened● Can be used to trigger other events (camera recording, turning on a light, etc.)	
<p>Motion Sensor (KX-HNS102: 50 max.)^{*3}</p> <ul style="list-style-type: none">● Detects motion in the surrounding area● Can be used to trigger other events (camera recording, turning on a light, etc.)	

Smart Plug (KX-HNA101: 50 max.*3)

- Can be turned on and off using the handset or Home Network app or when triggered by a sensor
- Built-in overcurrent detection for added peace of mind
- Power consumption is logged for your reference



- *1 Optional handsets may be a different color from that of the handset supplied as part of a pre-configured kit.
- *2 A total of 4 cameras (including indoor cameras and outdoor cameras) can be registered to the hub.
- *3 A total of 50 sensors (including motion sensors and window/door sensors) and smart plugs can be registered to the hub.

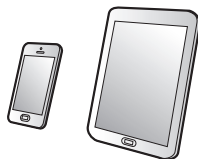
Mobile devices

Your mobile devices: 8 max.

You can expand the system by installing the Home Network app on your mobile devices (smartphones, tablets, etc.) and registering your mobile devices to the hub. See page 11 for more information about the Home Network app.

Note:

- You must configure the hub's Wi-Fi settings before you can use the app.



Important Information

About this system

This system is an auxiliary system; it is not designed to provide complete protection from property loss. Panasonic will not be held responsible in the event that property loss occurs while this system is in operation.

For your safety

To prevent severe injury and loss of life/property, read this section carefully before using the product to ensure proper and safe operation of your product.

WARNING

Power connection

- Use only the power source marked on the product.
- Do not overload power outlets and extension cords. This can result in the risk of fire or electric shock.
- Completely insert the AC adaptor/power plug into the power outlet. Failure to do so may cause electric shock and/or excessive heat resulting in a fire.
- Regularly remove any dust, etc. from the AC adaptor/power plug by pulling it from the power outlet, then wiping with a dry cloth. Accumulated dust may cause an insulation defect from moisture, etc. resulting in a fire.
- Unplug the product from power outlets if it emits smoke, an abnormal smell, or makes an unusual noise. These conditions can cause fire or electric shock. Confirm that smoke has stopped emitting and contact us at www.panasonic.com/contactinfo
- Unplug from power outlets and never touch the inside of the product if its casing has been broken open. Danger of electric shock exists.
- Never touch the plug with wet hands. Danger of electric shock exists.
- Do not connect non-specified devices.

Installation

- To prevent the risk of fire or electrical shock, do not expose the product to rain or any type of moisture.
- Do not place or use this product near automatically controlled devices such as automatic doors and fire alarms. Radio waves emitted from this product may cause such devices to malfunction resulting in an accident.
- Do not allow the AC adaptor or telephone line cord to be excessively pulled, bent or placed under heavy objects.
- Keep small parts, such as microSD cards, out of the reach of children. There is a risk of swallowing. In the event they are swallowed, seek medical advice immediately.

Operating safeguards

- Unplug the product from power outlets before cleaning. Do not use liquid or aerosol cleaners.
- Do not disassemble the product.
- Do not spill liquids (detergents, cleansers, etc.) onto the telephone line cord plug, or allow it to become wet at all. This may cause a fire. If the telephone line cord plug becomes wet, immediately pull it from the telephone wall jack, and do not use.
- Never put metal objects inside the product. If metal objects enter the product, turn off the circuit breaker and contact an authorized service center.

Medical

- Consult the manufacturer of any personal medical devices, such as pacemakers or hearing aids, to determine if they are adequately shielded from external RF (radio frequency) energy. DECT features operate between 1.92 GHz and 1.93 GHz with a peak transmission power of 115 mW. Wi-Fi features operate between 2.412 GHz and 2.462 GHz with a peak transmission power of 100 mW.
- Do not use the product in health care facilities if any regulations posted in the area instruct you not to do so. Hospitals or health care facilities may be using

equipment that could be sensitive to external RF energy.

⚠ CAUTION**Installation and location**

- Never install wiring during a lightning storm.
- Never install telephone line jacks in wet locations unless the jack is specifically designed for wet locations.
- Never touch uninsulated telephone wires or terminals unless the telephone line has been disconnected at the network interface.
- Use caution when installing or modifying telephone lines.
- The AC adaptor is used as the main disconnect device. Ensure that the AC outlet is installed near the product and is easily accessible.
- This product is unable to make calls when:
 - there is a power failure.
 - when the cordless handset or mobile device's batteries need recharging or have failed.

Important safety instructions

When using your product, basic safety precautions should always be followed to reduce the risk of fire, electric shock, and injury to persons, including the following:

1. Do not use this product near water for example, near a bathtub, washbowl, kitchen sink, or laundry tub, in a wet basement or near a swimming pool.
2. Avoid using a telephone (other than a cordless type) during an electrical storm. There may be a remote risk of electric shock from lightning.
3. Do not use the telephone to report a gas leak in the vicinity of the leak.
4. Use only the power cord indicated in this document.

SAVE THESE INSTRUCTIONS**Security cautions**

Take appropriate measures to avoid the following security breaches when using this product.

- Leaks of private information
- Unauthorized use of this product
- Unauthorized interference or suspension of the use of this product

Take the following measures to avoid security breaches:

- Configure the wireless router that connects your mobile device to this product to use encryption for all wireless communication.
- You may be vulnerable to security breaches if the unit is used with the login password, disarm code, or PIN code, or other settings at their defaults values. Configure your own values for these settings.
- Do not use passwords that could be easily guessed by a third party. If you keep a record of your passwords, protect that record. Change passwords regularly.
- If you lose your mobile device, change the password used to access this product.
- If you enable the product's auto login feature, enable the screen lock or similar security feature on your mobile device.
- Take care when performing important security related operations such as deleting MAC address, unit IDs, etc.
- To prevent disclosure of personal information, enable the screen lock or similar security feature on your mobile device.
- When submitting the product for repair, make a note of any important information stored in the product, as this information may be erased or changed as part of the repair process.
- Before handing the product over to a third party for repair or other purposes, perform a factory data reset to erase any data stored in the product and remove the microSD card. Use only trusted repair services authorized by Panasonic.
- Before disposing of the product, perform a factory data reset to erase any data stored

Important Information

in the product. Remove and erase the microSD card.

- If your mobile device will no longer be used with the product, delete your mobile device's registration from the product and delete the corresponding app from your mobile device.
- If this product experiences a power outage, its date and time setting may become incorrect. In this case, the date and time setting will be automatically corrected when your mobile device and this product are connected to the same wireless network.

Additionally, note the following.

- Multiple hubs cannot be used on the same network.
- Only one mobile device can access this product while away from home. If a second mobile device connects to this product while away from home, the first mobile device is disconnected.
- Communications may be interrupted depending on network conditions and wireless signal quality.
- This product may be used in ways that violate the privacy or publicity rights of others. You are responsible for the ways in which this product is used.

For best performance

Hub location/avoiding noise

The hub and other compatible Panasonic devices use radio waves to communicate with each other.

- For maximum coverage and noise-free communications, place your hub:
 - at a convenient, high, and central location with no obstructions between the devices and hub in an indoor environment.
 - away from electronic appliances such as TVs, radios, personal computers, wireless devices, or other phones.
 - facing away from radio frequency transmitters, such as external antennas of mobile phone cell stations. (Avoid

putting the hub on a bay window or near a window.)

- Coverage and voice quality depends on the local environmental conditions.
- If the reception for a hub location is not satisfactory, move the hub to another location for better reception.

Environment

- Keep the product away from electrical noise generating devices, such as fluorescent lamps and motors.
- The product should be kept free from excessive smoke, dust, high temperature, and vibration.
- The product should not be exposed to direct sunlight.
- Do not place heavy objects on top of the product.
- When you leave the product unused for a long period of time, unplug the product from the power outlet.
- The product should be kept away from heat sources such as heaters, kitchen stoves, etc. It should not be placed in rooms where the temperature is less than 0 °C (32 °F) or greater than 40 °C (104 °F). Damp basements should also be avoided.
- The maximum communication range may be shortened when the product is used in the following places: Near obstacles such as hills, tunnels, underground, near metal objects such as wire fences, etc.
- Operating the product near electrical appliances may cause interference. Move away from the electrical appliances.

Other information

Routine care

- Wipe the outer surface of the product with a soft moist cloth.
- Do not use benzine, thinner, or any abrasive powder.

Protecting your recordings

- Do not remove the microSD card or disconnect the hub's AC adaptor while

reading or writing data to the microSD card. Data on the card could become corrupted.

- If a microSD card malfunctions or is exposed to electromagnetic waves or static electricity, data on the card could become corrupted or erased. Therefore we recommend backing up important data to a computer or other device.

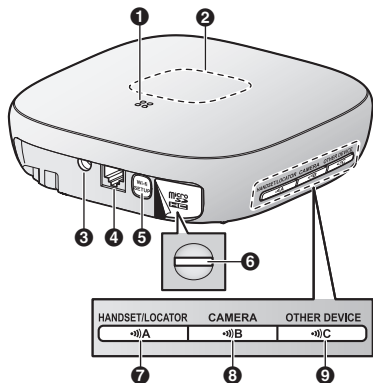
Notice for product disposal, transfer, or return

- This product can store your private/confidential information. To protect your privacy/confidentiality, we recommend that you erase information such as phonebook or caller list entries from the memory before you dispose of, transfer, or return the product.

Notice

- This product is designed for use in the United States of America. Sale or use of this product in other countries may violate local laws.
- Cet appareil est conçu pour être utilisé aux États-Unis d'Amérique. La vente ou l'emploi de cet appareil dans certains autres pays peut constituer une infraction à la législation locale.
- Este producto está diseñado para usarse en los Estados Unidos de América. La venta o el empleo de este producto en ciertos países puede constituir violación de la legislación local.
- 本產品專為美國使用而設。若在其他國家銷售或使用，可能會違反當地法例。
- この製品は、日本国外での使用を目的として設計されており、日本国内での使用は法律違反となります。従って、当社では日本国内においては原則として修理などのサービスは致しかねます。

Part names and functions



- 1 **Speaker**
- 2 **LED indicator**
- 3 **DC jack**
- 4 **LINE jack**
- 5 **[Wi-Fi SETUP]**
Used when performing initial setup.
- 6 **microSD card slot**
Used when inserting a microSD card.
Remove the label when inserting.
- 7 **[A] HANDSET/LOCATOR**
Used when registering a handset. You can also press this button to locate a misplaced handset.
- 8 **[B] CAMERA**
Used when registering a camera.
- 9 **[C] OTHER DEVICE**
Used when registering a sensor or smart plug.

LED indicator

You can use the LED indicator to confirm the hub's status.

Indicator	Status
Off	No power, or LED indicator is turned off*1

Indicator	Status
Green, lit	Normal operation, connected to wireless router*1
Green, blinking	Registration mode
Alternating: Green, blinking Yellow, blinking	Hub is starting up (cannot be used yet)*2
Red, lit	Security system is armed
Red, blinking quickly	Security system was triggered
Yellow, lit	Initial setup required
Yellow, blinking	Initial setup in progress, mobile device connected
Yellow, blinking quickly	Initial setup is starting

*1 You can configure the hub so that its LED indicator does not light during normal operation. For more information, refer to the User's Guide (page 15).

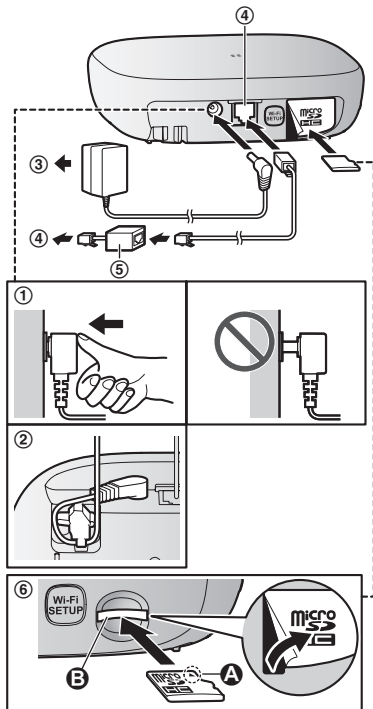
*2 It may take some time for the hub to finish starting up.

Connections

- 1 Insert the AC adaptor plug firmly into the DC jack.
- 2 Secure the AC adaptor cord by wrapping it around the hook.
- 3 Connect the AC adaptor to the power outlet.
- 4 Insert the telephone line cord into the LINE jack and a single-line telephone jack (RJ11C) until you hear a click.
- 5 **DSL/ADSL service users only:** Connect your DSL/ADSL filter (not supplied).
- 6 **Outdoor Camera (KX-HNC600) or Indoor Camera (KX-HNC200) users only:** Remove the label covering the card slot and then insert the microSD card (not supplied) into the slot with the notched corner (A) facing upwards (B) until it clicks into place.

Note:

- Use only the supplied Panasonic AC adaptor PNLV236.
- A microSD card (not supplied) is required to record images from cameras. Refer to the information about the available microSD card (page 3).
- To remove the microSD card, push in the microSD card and then remove it.

**Note about power connections****AC adaptor connection**

- The AC adaptor must remain connected at all times. (It is normal for the adaptor to feel warm during use.)

- The AC adaptor should be connected to a vertically oriented or floor-mounted AC outlet. Do not connect the AC adaptor to a ceiling-mounted AC outlet, as the weight of the adaptor may cause it to become disconnected.

Power failure

- The hub will not work during a power failure.
- The hub's telephone features will not work during a power failure. We recommend connecting a corded-type telephone that does not use an AC adaptor to your telephone line. You can connect the telephone to the same telephone line jack as the hub by using a Panasonic T-adaptor (page 3).

Wi-Fi® settings

After you have connected your hub, here is what you will need to do in order to access the system from your mobile device. Each procedure is explained in this chapter.

- 1 Download**
Download the **[Home Network]** app to your mobile device.
- 2 Initial setup**
Use the **[Home Network]** app to configure the hub to connect to your wireless router, and then register your mobile device to the hub.

Downloading the [Home Network] app

Download information is available at the web page listed below.



www.panasonic.net/pcc/support/tel/homenetwork/

Setup

Compatible mobile devices

iPhone® 4 or later, iPad®, or iPad mini™ (iOS 6.0 or later) or an Android™ device (Android 4.0 or later)

Note:

- The **[Home Network]** app may not function properly depending on the system environment, such as the model of your mobile device, peripherals connected to your mobile device, and the apps installed on your mobile device.

Initial setup

Confirm the following before you begin.

- Make sure you have installed the **[Home Network]** app on your mobile device
- Make sure your mobile device can connect to the Internet
- Make sure the hub and your wireless router are turned on and the hub's LED indicator is lit in yellow
- Make sure you know the network name (SSID) and password assigned to your wireless router

Initial setup for iPhone, iPad

- 1 Start the **[Home Network]** app.
- 2 Tap **[Set up the Hub]**.
- 3 When prompted, press **[Wi-Fi SETUP]** on the hub.
 - The LED indicator blinks in yellow.
- 4 Change your mobile device's Wi-Fi setting temporarily so that it connects to the hub directly.
 - Open your mobile device's **[Settings]** app, tap **[Wi-Fi]**, select "KX-HNB600", enter "00000000" as the password, and then tap **[Join]**.
 - If more than 1 item named "KX-HNB600" is displayed, wait approx. 10 minutes and perform this procedure from the beginning.
- 5 Start the **[Home Network]** app again.

- 6 If necessary, enter the password required to connect to your wireless router and then tap **[Next]**.
 - The hub and your mobile device connect to your wireless router.
 - If prompted, follow the on-screen instructions and connect your mobile device to your wireless router, start the app again, and then tap **[Add Mobile Device]**.
- 7 When prompted, press **[Wi-Fi SETUP]** on the hub.
 - Your mobile device will be registered to the hub.
- 8 When prompted, follow the on-screen instructions and set the password used to log in to the hub while away from home.
- 9 Follow the on-screen instructions to finish setting up the hub.
 - The app's home screen is displayed when initial setup is complete.

Initial setup for Android devices

- 1 Start the **[Home Network]** app.
- 2 Tap **[Set up the Hub]**.
- 3 When prompted, press **[Wi-Fi SETUP]** on the hub.
 - The LED indicator blinks in yellow.
 - The app temporarily changes your mobile device's Wi-Fi setting so that it connects to the hub directly.
- 4 If necessary, enter the password required to connect to your wireless router and then tap **[Next]**.
 - The hub and your mobile device connect to your wireless router.
- 5 When prompted, press **[Wi-Fi SETUP]** on the hub.
 - Your mobile device will be registered to the hub.
- 6 When prompted, follow the on-screen instructions and set the password used to log in to the hub while away from home.
 - The app's home screen is displayed when initial setup is complete.

Information about Wi-Fi communication

The hub uses Wi-Fi to communicate with your wireless router. Refer to the following information when planning where to place the hub.

Do not use the hub in the following areas or locations. Malfunction or interference to radio communication may result.

- Indoor areas that have certain types of radio or mobile communications equipment
- Locations near microwave ovens or Bluetooth devices
- Indoor areas where antitheft devices or 2.4 GHz frequency devices such as POS systems are used

Do not place the hub in areas where the following materials or objects are located between the hub and the wireless router. These materials and objects may interfere with wireless communication or cause wireless transmission speed to become slower.

- Metallic doors or shutters
- Walls containing aluminum-sheet insulation
- Walls made of concrete, stone, brick, or tin
- Multiple walls
- Steel shelving
- Fireproof glass

Registering another mobile device

After you have used your mobile device to perform the initial setup procedure, you can add other mobile devices to the system. Before following this procedure, make sure you have completed the Initial Setup procedure.

- 1 Using the mobile device that you want to register, download the **[Home Network]** app and then start the app.
- 2 Tap **[Add Mobile Device]**.
- 3 When prompted, press **[Wi-Fi SETUP]** on the hub.
 - Your mobile device will be registered to the hub.
- 4 When prompted, follow the on-screen instructions and enter the password used to log in to the hub while away from home.
 - The app's home screen is displayed.

Registering other devices to the hub

This procedure is not required for devices that were included as part of a bundle.

Before you can use cameras, sensors, and smart plugs, they must be registered to the hub.

If you purchased devices separately (i.e., not as part of a bundle), you must register each device to the hub.

You can register each device by using the registration buttons or the **[Home Network]** app.

Setup

Using registration buttons

1 Hub:

Press and hold the registration button until the LED indicator blinks in green.

- Press and hold the appropriate registration button (page 10) according to the device you want to register.

[••]A HANDSET/LOCATOR: For handsets

[••]B CAMERA: For cameras

[••]C OTHER DEVICE: For sensors and smart plugs

2 Handset:

Place the handset on the charger.

Devices other than handset:

Press and hold the device's registration button until the device's LED indicator blinks in green.

- When registration is complete, the hub sounds one long beep.

Note:

- If registration fails, the hub sounds several short beeps.

Using the app

1 Start the **[Home Network]** app.

2 From the **[Home Network]** app home screen, tap **[Settings]**.

3 Tap **[Device Registration]**.

4 Tap **[Registration]**.

5 Select the type of device that you want to register.

6 Handset:

Place the handset on the charger.

Devices other than handset:

Press and hold the registration button on the device you want to register until the device's LED indicator blinks in green.

- When registration is complete, the hub sounds one long beep.

7 When prompted, configure the device name and location as desired, and then tap **[OK]**.

Note:

- If registration fails, the hub sounds several short beeps.

Wireless communication range (DECT)

The wireless communication range of each device in the system from the hub is approximately 50 m (160 feet) indoors and approximately 300 m (1,000 feet) outdoors. Wireless communication may be unreliable when the following obstacles are located between the hub and other system devices.

- Metal doors or screens
- Walls containing aluminum-sheet insulation
- Walls made of concrete or corrugated iron
- Double-pane glass windows
- Multiple walls
- When using each device on separate floors or in different buildings

Note:

- **Outdoor camera, indoor camera, smart plug:**
A device's LED indicator will blink quickly in red if it is out of range of the hub. In this case, confirm all connections, including those of the hub.
- **Window/door sensor, motion sensor:**
You can check the sensor's communication status by pressing **[•)]C]**. If the LED indicator is lit in green or red, the sensor is communicating properly with the hub. If the LED indicator blinks in red, it is out of range of the hub.

Accessing the User's Guide

The User's Guide is a collection of online documentation that helps you get the most out of the **[Home Network]** app.

1 iPhone/iPad

Tap **[☰]** in the app's home screen.

Android devices

Tap **[☰]** or press your mobile device's menu button in the app's home screen.

2 Tap **[User's Guide]**.

Note:

- You can also access the User's Guide at the web page listed below.



www.panasonic.net/pcc/support/tel/homenetwork/manual/

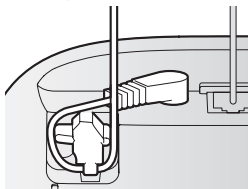
Wall mounting

You can use the included wall mounting adaptor to wall mount the hub if desired.

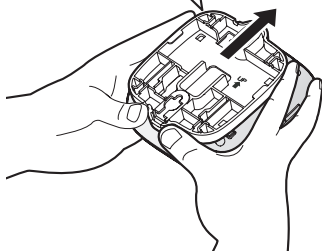
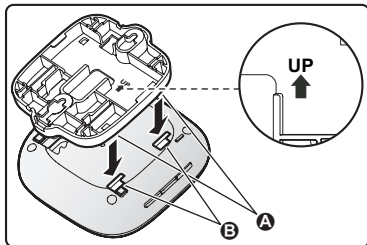
Note:

- Make sure that the wall and the fixing method are strong enough to support the weight of the unit.

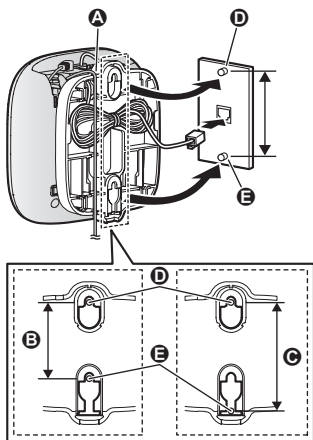
- 1 Connect the AC adaptor and the telephone line cord to the hub.
 - Secure the AC adaptor cord by wrapping it around the hook.



- 2 Slide the wall mounting adaptor up until it clicks into place.
 - Make sure the "UP" mark on the wall mounting adaptor faces upwards.
 - Align and insert the tabs (A) of the wall mounting adaptor to the grooves (B) of the hub.

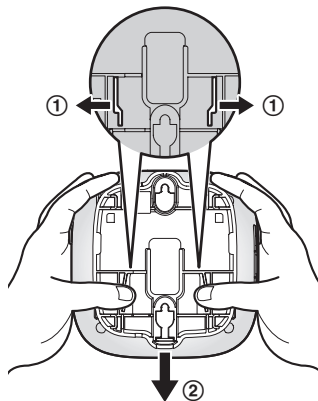


- 3** Mount the hub on a wall then slide down to secure in place.
- Pass the AC adaptor cord and the telephone line cord through the groove (A) in the wall mounting adaptor. Wrap up the telephone line cord as shown to prevent the cord from being pinched.
 - This product is compliant with the following wall phone plate sizes (2 types).
 - (B) 83 mm (3 1/4 inches)
 - (C) 102 mm (4 inches)
 - Fit the slots of the hub onto the corresponding wall phone plate tabs for (D) and (E) respectively.



Removing the wall mounting adaptor

While pushing the release levers (1) away from the center of the wall mounting adaptor, slide the adaptor down (2).



Specifications

- **Standards**
 - DECT:**
DECT 6.0 (Digital Enhanced Cordless Telecommunications 6.0)
 - Wi-Fi:**
IEEE 802.11 b/g/n
- **Frequency range**
 - DECT:**
1.92 GHz – 1.93 GHz
 - Wi-Fi:**
2.412 GHz – 2.462 GHz (channels 1 – 11)
- **RF transmission power**
 - DECT:**
115 mW (max.)
 - Wi-Fi:**
100 mW (peak transmission power)
- **Encryption**
WPA2-PSK (TKIP/AES), WPA-PSK (TKIP/AES), WEP (128/64 bit)
- **Simplified configuration**
WPS (PBC)
- **Power source**
120 V AC, 60 Hz
- **Power consumption**
Standby: Approx. 3.5 W
Maximum: Approx. 4.0 W
- **Operating conditions**
0 °C – 40 °C (32 °F – 104 °F)
20% – 80% relative air humidity (dry)
- **Alert tone volume**
High alert level: approx. 90 dB
Low alert level: approx. 73 dB
(measured approx. 10 cm (3 15/16 inches) in front of the center of the unit)
- **Dimensions**
Approx. 42 mm × 130 mm × 130 mm (1 21/32 inches × 5 1/8 inches × 5 1/8 inches)
- **Mass (weight)**
Approx. 220 g (0.49 lb)

Open source software notice

- Parts of this product use open source software supplied based on the relevant conditions of the Free Software Foundation's GPL and/or LGPL and other conditions. Please read all licence information and copyright notices related to the open source software used by this product. This information is available at the following web page:
www.panasonic.net/pcc/support/tel/homenetwork/
At least three (3) years from delivery of this product, Panasonic System Networks Co., Ltd. will give to any third party who contacts us at the contact information provided below, for a charge of no more than the cost of physically distributing source code, a complete machine-readable copy of the corresponding source code and the copyright notices covered under the GPL and the LGPL. Please note that software licensed under the GPL and the LGPL is not under warranty.
www.panasonic.net/pcc/support/tel/homenetwork/

Software information

- The End User License Agreement (EULA) for the Home Network app is available at the following web page:
www.panasonic.net/pcc/support/tel/homenetwork/

FCC and other information

This equipment complies with Part 68 of the FCC rules and the requirements adopted by the ACTA. On the bottom of this equipment is a label that contains, among other information, a product identifier in the format

US:ACJ-----

If requested, this number must be provided to the telephone company.

- Registration No. (found on the bottom of the unit)
- Ringer Equivalence No. (REN).....0.1B

A plug and jack used to connect this equipment to the premises wiring and telephone network must comply with the applicable FCC Part 68 rules and requirements adopted by the ACTA. A compliant telephone cord and modular plug is provided with the product. It is designed to be connected to a compatible modular jack that is also compliant.

The REN is used to determine the number of devices that may be connected to a telephone line. Excessive RENs on a telephone line may result in the devices not ringing in response to an incoming call. In most but not all areas, the sum of RENs should not exceed five (5.0). To be certain of the number of devices that may be connected to a line, as determined by the total RENs, contact the local telephone company. For products approved after July 23, 2001, the REN for the product is part of the product identifier that has the format US:AAAEQ##TXXXX. The digits represented by ## are the REN without a decimal point (e.g., 03 is a REN of 0.3).

If this equipment causes harm to the telephone network, the telephone company will notify you in advance that temporary discontinuance of service may be required. But if advance notice isn't practical, the telephone company will notify the customer as soon as possible. Also, you will be advised of your right to file a complaint with the FCC if you believe it is necessary.

The telephone company may make changes in its facilities, equipment, operations or procedures that could affect the operation of the equipment. If this happens the telephone company will provide advance notice in order for you to make necessary modifications to maintain uninterrupted service.

If trouble is experienced with this equipment, for repair or warranty information, please contact a Factory Service Center or other Authorized Servicer. If the equipment is causing harm to the telephone network, the telephone company may request that you disconnect the equipment until the problem is resolved.

Connection to party line service is subject to state tariffs. Contact the state public utility commission, public service commission or corporation commission for information.

If your home has specially wired alarm equipment connected to the telephone line, ensure the installation of this equipment does not disable your alarm equipment. If you have questions about what will disable alarm equipment, consult your telephone company or a qualified installer.

This equipment is hearing aid compatible as defined by the FCC in 47 CFR Section 68.316.

When you hold the phone to your ear, noise might be heard in your Hearing Aid. Some Hearing Aids are not adequately shielded from external RF (radio frequency) energy. If noise occurs, use an optional headset accessory or the speakerphone option (if applicable) when using this phone. Consult with your audiologist or Hearing Aid manufacturer about the availability of Hearing Aids which provide adequate shielding to RF energy commonly emitted by digital devices.

WHEN PROGRAMMING EMERGENCY NUMBERS AND/OR MAKING TEST CALLS TO EMERGENCY NUMBERS:

1. Remain on the line and briefly explain to the dispatcher the reason for the call.

Appendix

2. Perform such activities in the off-peak hours, such as early morning or late evenings.

This device complies with Part 15 of the FCC Rules. Operation is subject to the following two conditions:

(1) This device may not cause harmful interference, and (2) this device must accept any interference received, including interference that may cause undesired operation.

Privacy of communications may not be ensured when using this phone.

CAUTION:

Any changes or modifications not expressly approved by the party responsible for compliance could void the user's authority to operate this device.

NOTE:

This equipment has been tested and found to comply with the limits for a Class B digital device, pursuant to Part 15 of the FCC Rules. These limits are designed to provide reasonable protection against harmful interference in a residential installation. This equipment generates, uses, and can radiate radio frequency energy and, if not installed and used in accordance with the instructions, may cause harmful interference to radio communications. However, there is no guarantee that interference will not occur in a particular installation. If this equipment does cause harmful interference to radio or television reception, which can be determined by turning the equipment off and on, the user is encouraged to try to correct the interference by one or more of the following measures:

- Reorient or relocate the receiving antenna.
- Increase the separation between the equipment and receiver.
- Connect the equipment into an outlet on a circuit different from that to which the receiver is connected.
- Consult the dealer or an experienced radio/TV technician for help.

Some cordless telephones operate at frequencies that may cause interference to nearby TVs and VCRs. To minimize or

prevent such interference, the base of the cordless telephone should not be placed near or on top of a TV or VCR. If interference is experienced, move the cordless telephone further away from the TV or VCR. This will often reduce or eliminate interference.

FCC RF Exposure Warning:

- This product complies with FCC radiation exposure limits set forth for an uncontrolled environment.
- To comply with FCC RF exposure requirements, the hub must be installed and operated 20 cm (8 inches) or more between the product and all person's body.
- This product may not be collocated or operated in conjunction with any other antenna or transmitter.
- For body-worn operation, the handset must be used only with a non-metallic accessory. Use of other accessories may not ensure compliance with FCC RF exposure requirements.

Notice:

- FCC ID can be found on the bottom of the unit.

Customer services

Customer Services Directory (United States and Puerto Rico)

Obtain Product Information and Operating Assistance; locate your nearest Dealer or Service Center; purchase Parts and Accessories; or make Customer Service and Literature requests by visiting our Web Site at:

www.panasonic.com/support

or, contact us via the web at:

www.panasonic.com/contactinfo

You may also contact us directly at: 1-800-211-PANA (1-800-211-7262),
Monday - Friday 9 am to 9 pm; Saturday - Sunday 10 am to 7 pm, EST.

For hearing or speech impaired TTY users, TTY: 1-877-833-8855

Accessory Purchases (United States and Puerto Rico)

Purchase Parts, Accessories and Owner's Manual online for all Panasonic Products by visiting our Web Site at:

www.pstc.panasonic.com

or, send your request by E-mail to:

npcparts@us.panasonic.com

You may also contact us directly at:

1-800-237-9080 (Fax Only)

(Monday - Friday 9 am to 9 pm, EST.)

Panasonic National Parts Center

20421 84th Avenue S., Kent, WA 98032

(We accept Visa, MasterCard, Discover Card, American Express.)

For hearing or speech impaired TTY users, TTY: 1-866-605-1277

Warranty (For United States and Puerto Rico)

Panasonic Home Network System Products Limited Warranty

Limited Warranty Coverage

If your product does not work properly because of a defect in materials or workmanship, Panasonic Corporation of North America (referred to as “the warrantor”) will, for the length of the period indicated on the chart below, which starts with the date of original purchase (“Limited Warranty period”), at its option either (a) repair your product with new or refurbished parts, or (b) replace it with a new or a refurbished equivalent value product, or (c) refund your purchase price. The decision to repair, replace or refund will be made by the warrantor.

	Parts	Labor
Home Network System Products	One (1) Year	One (1) Year
microSD card (Included model only)	90 days	N/A

During the “Labor” Limited Warranty period there will be no charge for labor. During the “Parts” Limited Warranty period, there will be no charge for parts. You must mail-in your product prepaid during the Limited Warranty period. This Limited Warranty excludes both parts and labor for batteries, antennas, and cosmetic parts (cabinet). This Limited Warranty only applies to products purchased and serviced in the United States or Puerto Rico. This Limited Warranty is extended only to the original purchaser and only covers products purchased as new.

Mail-In Service--Online

Online Repair Request

To submit a new repair request and for quick repair status visit our Web Site at www.panasonic.com/repair

When shipping the unit carefully pack in a padded shipping carton, include all accessories, and send it prepaid. Include a letter detailing the complaint, a return address and provide a day time phone number where you can be reached. P.O. Boxes are not acceptable. Keep the tracking number for your records. A copy of valid registered receipt is required under the 1 year parts and labor Limited Warranty.

For Limited Warranty service for headsets if a headset is included with this product please follow instructions above.

IF REPAIR IS NEEDED DURING THE LIMITED WARRANTY PERIOD THE PURCHASER WILL BE REQUIRED TO FURNISH A SALES RECEIPT/PROOF OF PURCHASE INDICATING DATE OF PURCHASE, AMOUNT PAID AND PLACE OF PURCHASE. CUSTOMER WILL BE CHARGED FOR THE REPAIR OF ANY UNIT RECEIVED WITHOUT SUCH PROOF OF PURCHASE.

Limited Warranty Limits And Exclusions

This Limited Warranty ONLY COVERS failures due to defects in materials or workmanship, and DOES NOT COVER normal wear and tear or cosmetic damage. The Limited Warranty ALSO DOES NOT COVER damages which occurred in shipment, or failures which are caused by products not supplied by the warrantor, or failures which result from accidents, misuse, abuse, neglect, bug infestation, mishandling, misapplication, alteration, faulty installation, set-up adjustments, misadjustment of consumer controls, improper maintenance, power line surge, lightning damage, modification, introduction of sand, humidity or liquids, commercial use such as hotel, office, restaurant, or other business or rental use of the product, or service by anyone other than a Factory Service Center or other Authorized Servicer, or damage that is attributable to acts of God.

THERE ARE NO EXPRESS WARRANTIES EXCEPT AS LISTED UNDER "LIMITED WARRANTY COVERAGE". THE WARRANTOR IS NOT LIABLE FOR INCIDENTAL OR CONSEQUENTIAL DAMAGES RESULTING FROM THE USE OF THIS PRODUCT, OR ARISING OUT OF ANY BREACH OF THIS LIMITED WARRANTY. (As examples, this excludes damages for lost time, lost calls or messages, cost of having someone remove or re-install an installed unit if applicable, travel to and from the servicer. The items listed are not exclusive, but are for illustration only.) **ALL EXPRESS AND IMPLIED WARRANTIES, INCLUDING THE WARRANTY OF MERCHANTABILITY, ARE LIMITED TO THE PERIOD OF THE LIMITED WARRANTY.**

Some states do not allow the exclusion or limitation of incidental or consequential damages, or limitations on how long an implied warranty lasts, so the exclusions may not apply to you.

This Limited Warranty gives you specific legal rights and you may also have other rights which vary from state to state. If a problem with this product develops during or after the Limited Warranty period, you may contact your dealer or Service Center. If the problem is not handled to your satisfaction, then write to the warrantor's Consumer Affairs Department at the addresses listed for the warrantor.

PARTS AND SERVICE, WHICH ARE NOT COVERED BY THIS LIMITED WARRANTY, ARE YOUR RESPONSIBILITY.

When you ship the product

- Carefully pack your unit, preferably in the original carton.
- Attach a letter, detailing the symptom.
- Send the unit to Panasonic Exchange Center, prepaid and adequately insured.
- Do not send your unit to Panasonic Corporation of North America listed on the back cover or to executive or regional sales offices. These locations do not repair consumer products.

IMPORTANT!

If your product is not working properly. . .

- ① **Check if telephone line cord is connected.**
- ② Use the **Home Network app** to access the **User's Guide** and refer to the **Troubleshooting** section.



Visit our Web site: www.panasonic.com/support
• FAQ and troubleshooting hints are available.

For your future reference

We recommend keeping a record of the following information to assist with any repair under warranty.

Serial No.	Date of purchase
(found on the bottom of the unit)	
Name and address of dealer	

Attach your purchase receipt here.

Panasonic Corporation of North America
Two Riverfront Plaza, Newark, NJ 07102-5490

© Panasonic System Networks Co., Ltd. 2014